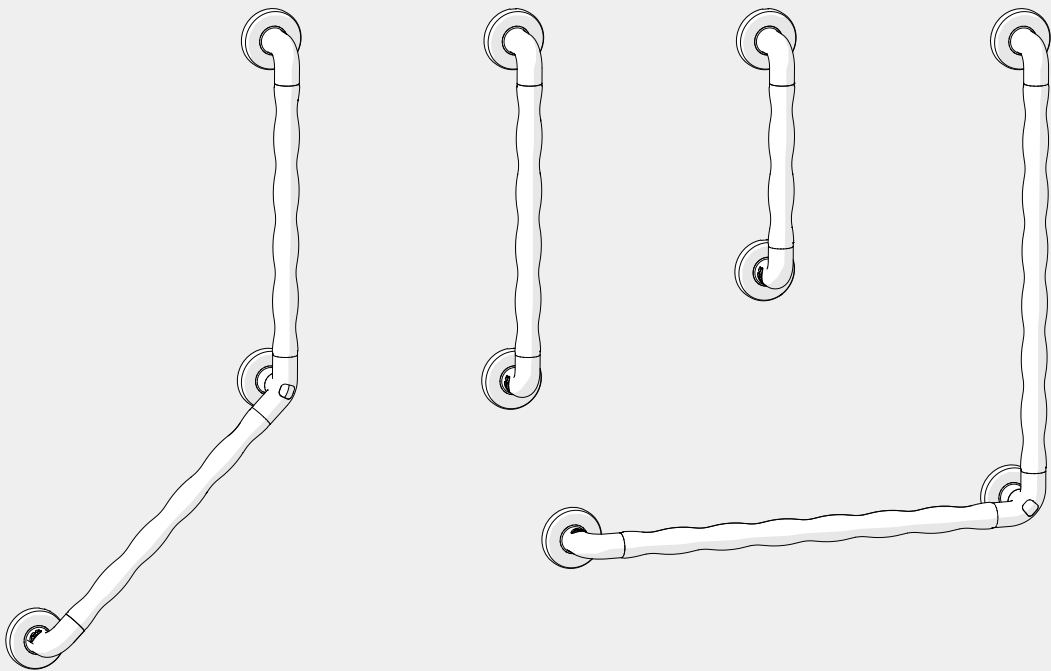


1600 Series Natural Grip Grab Rails

INSTALLATION INSTRUCTIONS



Important Information & Installation

Installation must be carried out in accordance with these instructions, and must be conducted by a competent installer.

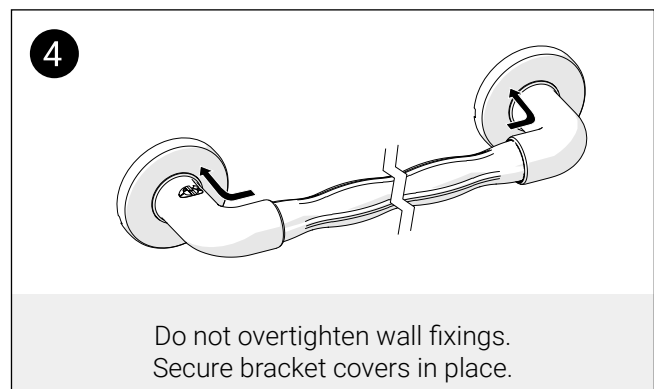
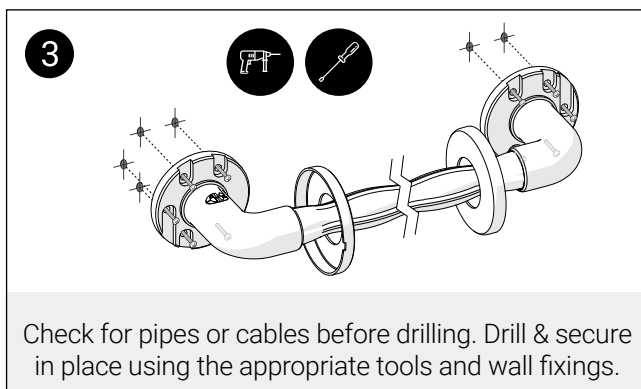
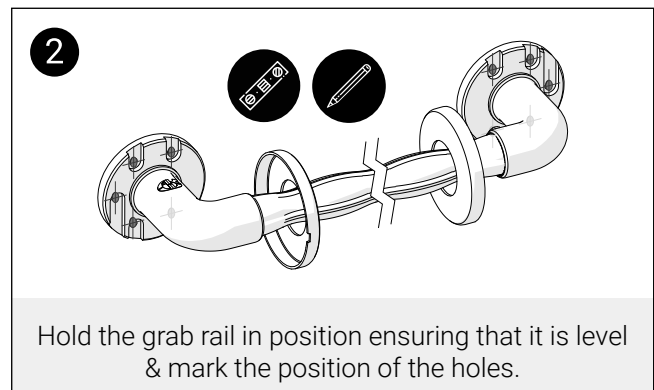
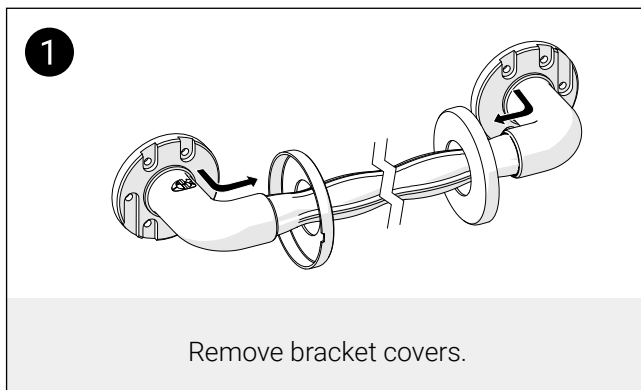
Important

Before fixing anything to the walls, ensure that the construction of that wall type is capable of the maximum weight of the loaded unit and that the appropriate fixings and fixtures are used for that wall type. Wall fixings are not supplied. It is recommended to use all fixing holes on the bracket. Do not use countersunk screw fixings.

Before you start

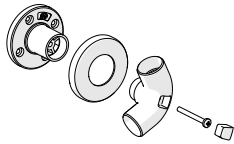
Please remove any protective covering and examine carefully. Check that all items are present before discarding of all packaging. Please notify the retailer immediately of any damage or faults. The manufacturer cannot be held responsible for any installation costs that may arise from damaged or faulty products being installed and not in accordance with these instructions. Keep small parts and packaging away from children and dispose all packaging in accordance with the local recycling authorities.

For grab rails with **two wall brackets** please follow the instructions below:

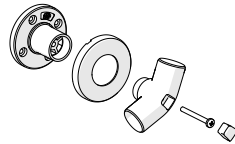


Installation & Specifications

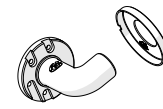
For grab rails with **three or more wall brackets** you will encounter **some** of the following elbows:



90° Elbow



135° Elbow



End Elbow

Start by installing the elbow(s) from the middle outwards, always making sure the rail is level.

Product	Diameter	Length*	Height**	Rail Colour	Stock Code
300mm Natural Grip Grab Rail	32mm	300mm	46mm	White Blue	01600WH 01600BU
300mm Natural Grip Grab Rail	35mm	300mm	46mm	White Blue	01650WH 01650BU
450mm Natural Grip Grab Rail	32mm	450mm	46mm	White Blue	01610WH 01610BU
450mm Natural Grip Grab Rail	35mm	450mm	46mm	White Blue	01660WH 01660BU
600mm Natural Grip Grab Rail	32mm	600mm	46mm	White Blue	01620WH 01620BU
600mm Natural Grip Grab Rail	35mm	600mm	46mm	White Blue	01670WH 01670BU
600x600mm Natural Grip Grab Rail (90°)	32mm	600x600mm	46mm	White Blue	01630WH 01630BU
450x450mm Natural Grip Grab Rail (135°)	32mm	450x450mm	46mm	White Blue	01640WH 01640BU
450x450mm Natural Grip Grab Rail (135°)	35mm	450x450mm	46mm	White Blue	01690WH 01690BU

* Distance between the centre of the wall brackets. ** Distance from the wall to the rail.

PRODUCT SPECIFICATION AND DATA INFORMATION

Maximum weight load:

Natural Grip 1600 Series 19.5 stone (125kg)

Weight load refers to the grab rail only, applied for less than 30 minutes in any 60 minute period.

Fixings and retention in the mounting surface are the responsibility of the installer.

Standard operating temperature range: -5°C to +35°C.

Materials of construction:

Brackets: PP | Bracket covers: PP | Rails: PP - Inserts of 304 Stainless Steel

Contact Us

AKW[®]
Life Made Better

Orders & Quotes

01905 823 299
orders@akw-ltd.co.uk

General Enquiries

01905 823 298
sales@akw-ltd.co.uk

Technical Enquiries

01905 560 219
tech@akw-ltd.co.uk

Kitchen Enquiries

01905 823 262
kitchens@akw-ltd.co.uk

Fax

01905 823 297

AKW

Pointon Way, Hampton Lovett
Droitwich Spa, WR9 0LR

www.akw-ltd.co.uk
orders.akw-ltd.co.uk

Follow us on Social:



Warranty

The life time warranty applies only to manufacturing or material defects, conditional on the one-time correct installation of the product.

It does not apply to:

- Inappropriate use or accidental damage.
- Damage or defects that result from incorrect installation.
- Lack of maintenance including the build up of grime or damage resulting from inappropriate cleaning.
- Damage or defects that result from repairs or modifications undertaken by unauthorised persons.
- This warranty excludes general wear and tear through usage and does not apply to surface finishes.

What to do if something goes wrong?

If you have a problem with this product, please contact your local installer. If this does not resolve the issue, contact the AKW Technical Enquiries who can provide further advice and, if necessary, arrange for a maintenance engineer to visit and report any issues. See the T&Cs on our website or catalogue for further information. None of the foregoing affects your statutory rights.